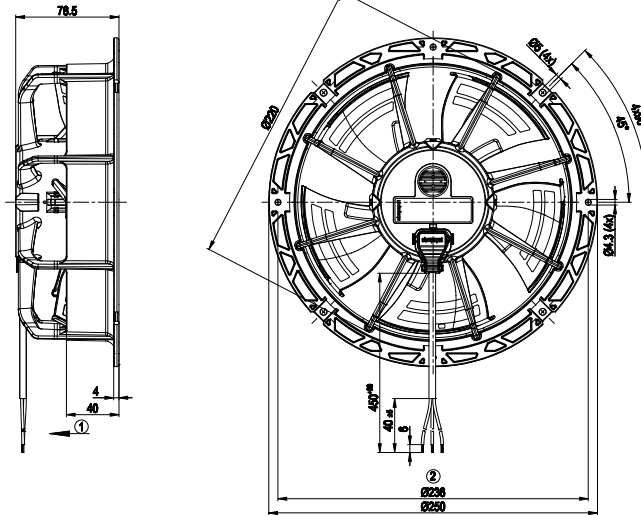


# VENTILATORI ASSIALI ELETTRONICI W1G200EC9145 **ebmpapst**



FASI	V	HZ	rpm	W	A	Pa	TEMP. MIN. °C	TEMP. MAX °C	COD	€
1~	230	50/60	1300 900	8	0.07	23	-30	50	<b>0401301</b>	<b>262,50</b>

