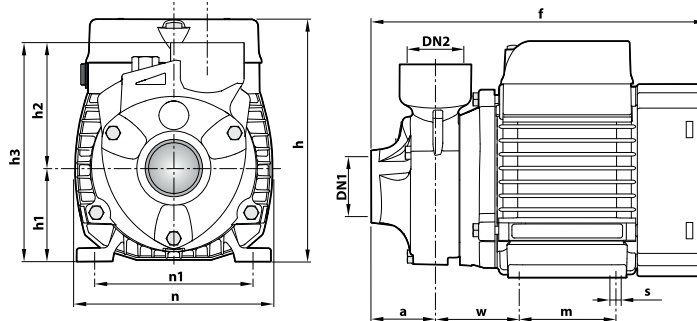


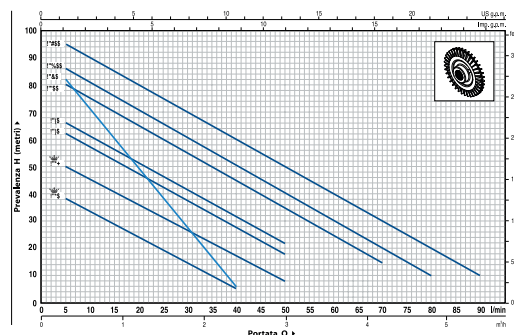
ELECTRIC PUMPS

PK SERIES

With peripheral impeller



Model	KW	Hp	Intake inlet	Delivery Head Intake	CODE	€
Three-phase	0.37	0.50	1	1	P-PK60	99.00
Single-phase	0.37	0.50	1	1	P-PKm60	84.00
Three-phase	0.50	0.70	1	1	P-PK65	116.00
Single-phase	0.50	0.70	1	1	P-PKm65	101.00
Three-phase	0.60	0.85	1	1	P-PK70	173.00
Single-phase	0.60	0.85	1	1	P-PKm70	158.00
Three-phase	0.75	1	1	1	P-PK80	178.00
Single-phase	0.75	1	1	1	P-PKm80	163.00
Three-phase	0.75	1	3/4	3/4	P-PK90	215.00
Single-phase	0.75	1	3/4	3/4	P-PKm90	200.00
Three-phase	1.1	1.5	1	1	P-PK100	292.00
Single-phase	1.1	1.5	1	1	P-PKm100	282.00
Three-phase	1.5	2	1	1	P-PK200	306.00
Single-phase	1.5	2	1	1	P-PKm200	306.00



PERFORMANCE CURVES AND DATA 50 Hz n=2900 1/min hs=0m

Pumped liquid: clean water
Use: domestic
Type: surface
Technique: peripheral

PERFORMANCE RANGE

- Flow rate up to (5.4 m³/h) 90 l/min
- Head up to 100 m

LIMITS OF USE

- Static head up to 8 m
- Temperature of the liquid from -10 °C up to +60 °C

- Room temperature up to +40 °C
- Continuous operation S1
- Max pressure in the pump body:
 - 6.5 bar for PK 60-65-70-80
 - 10 bar for PK 90-100-200-300

Prices valid at the time of printing of the catalogue, and subject to changes by the manufacturer. For up-to-date prices and applied discounts on the products listed on this page, please contact our sales office Tel. 02 89231200 - faet@faet.it - Fax 02 89231230