

# ROTEN 3

## ALUMINA/GRAPHITE/NBR

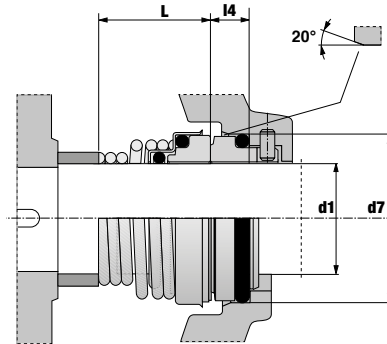


X1P1X1P1Z1V1P1 ( X6X62V6 )



Rotation: uni directional right  
 Stationary ring: with O-ring  
 Max pressure: 16 bar  
 Temperature: -25° max +90°

Use: water, clean liquids



Dimensions mm

SHAFT d1	ROTATING PART L	STATIONARY RING		COMPLETE MECHANICAL SEAL	COMPLETE MECHANICAL SEAL		STATIONARY RING	
		d7	l4		CODE	€	CODE	€
10	15	18.1	5.5	6	0105110	8.55	0151010	3.76
11	18	20.6	5.5	6	0105111	9.97	0151011	6.95
12	18	20.6	5.5	12	0105112	7.21	0151012	3.94
13	22	23.1	6	6	0105113	9.97	0151013	4.26
14	22	23.1	6	6	0105114	8.15	0151014	4.26
14	16	23.1	6	1	0105114L	9.97	0151014	4.26
15	22	26.9	7	6	0105115	9.45	0151015	4.71
16	23	26.9	7	6	0105116	9.45	0151016	4.71
17	23	26.9	7	6	0105117	12.15	0151017	4.71
18	24	30.9	8	6	0105118	11.58	0151018	5.04
19	25	30.9	8	6	0105119	14.71	0151019	5.20
20	25	30.9	8	6	0105120	12.41	0151020	5.20
21	25	35.4	8	6	0105121	19.27	0151021	10.80
22	25	35.4	8	6	0105122	13.71	0151022	6.20
23	27	35.4	8	6	0105123	17.49	0151023	10.87
24	27	35.4	8	6	0105124	14.19	0151024	6.20
25	27	38.2	8.5	6	0105125	19.06	0151025	10.58
28	29	43.3	9	6	0105128	28.39	0151028	14.52
29	30	43.3	9	1	0105129	39.70	0151029	25.57
30	30	43.3	9	6	0105130	33.88	0151030	14.52
32	30	43.3	9	6	0105132	29.07	0151032	14.52
35	39	53.5	11.5	1	0105135	45.42	0151035	19.56
38	39	60.5	11.5	1	0105138	62.26	0151038	44.24
40	39	60.5	11.5	1	0105140	52.88	0151040	25.14

- to place an order for a mechanical seal with left-handed rotation, add SX after the code. For example: 0105128SX (5% increase on the price list)  
 - packages with stationary ring: individual pieces

Info: On page 17 there are EPDM and FPM o-rings available.

