

UNITEN 3

ALUMINA/GRAPHITE/NBR

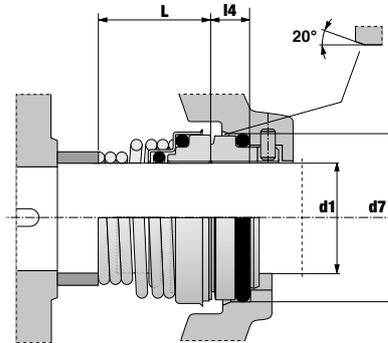


X1P1X1P1Z1V1P1 (X6X62V6)

EN 12756 compliant

Rotation: uni directional right
 Stationary ring: with O-ring
 Max pressure: 16 bar
 Temperature: -25° max +90°

Use: water, non-acidic liquids



Dimensions mm

SHAFT d1	ROTATING PART L	STATIONARY RING		COMPLETE MECHANICAL SEAL		STATIONARY RING	
		d7	l4	CODE	€	CODE	€
10	15	21	7	0105310	11.83	0164010	6.62
12	18	23	7	0105312	12.22	0164012	3.95
14	22	25	7	0105314	14.12	0164014	4.55
16	23	27	7	0105316	15.69	0164016	4.71
18	24	33	10	0105318	20.78	0164018	6.17
20	25	35	10	0105320	24.43	0164020	8.07
22	25	37	10	0105322	27.14	0164022	9.47
24	27	39	10	0105324	30.11	0164024	11.37
25	27	40	10	0105325	33.08	0164025	11.68
28	29	43	10	0105328	46.77	0164028	15.97
30	30	45	10	0105330	48.38	0164030	16.40
32	30	48	10	0105332	49.40	0164032	16.59
35	39	50	10	0105335	63.48	0164035	22.55
38	42	56	13	0105338	76.11	0164038	27.91
40	42	58	13	0105340	92.33	0164040	33.27

- to place an order for a mechanical seal with left-handed rotation, add SX after the code. For example: 0105328SX (5% increase on the price list)
 - packages with stationary ring: individual pieces

 Info: On page 17 there are EPDM and FPM o-rings available.

