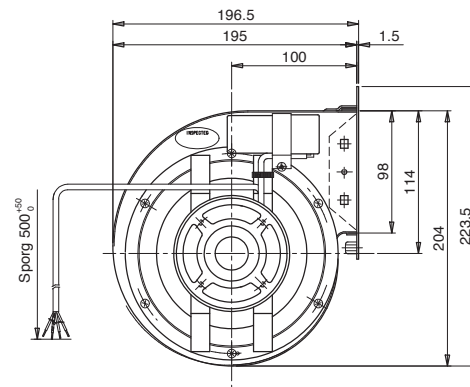
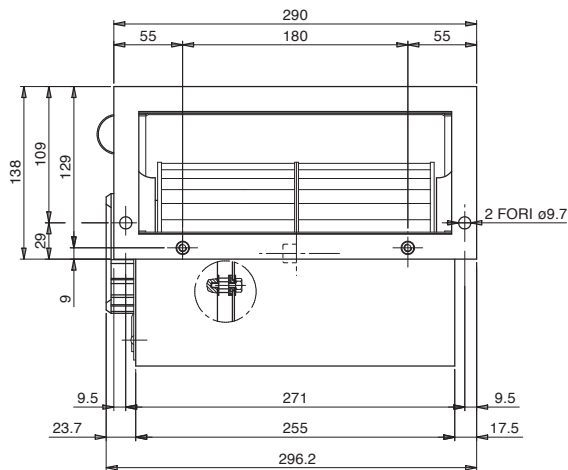
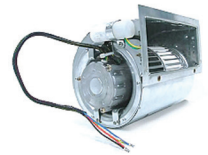


# AXIAL CENTRIFUGAL FANS

*Double inlet*

**NICOTRA** | Gebhardt



W	POLES	V	μF	SPEED	m <sup>3</sup> /h	CODE	€
40	4	230	2	3	700	<b>0403094</b>	<b>359,00</b>

## SMALL SIZE DOUBLE INLET DDM

MODEL	V	Hz	POLES	A	SPEED	W °C	TEMP.	IP	μF	m <sup>3</sup> /h EXPUL. mm	OPENING mm	PROF. mm	H mm	FLANGE	CODE	€
DDM 133/126	230	50/60	2	0,7	4	60	40	54	3,15	500	160X97	196	219	195X128	<b>0403097</b>	<b>366,00</b>
DDM 133/190	230	50/60	2	0,9	1	90	40	54	2,5	700	227X97	196	218	256X128	<b>0403098</b>	<b>415,00</b>
DDM 146/190	230	50/60	4	1,1	1	20	40	54	2	750	226X114	245	256	255X146	<b>0403099</b>	<b>311,00</b>