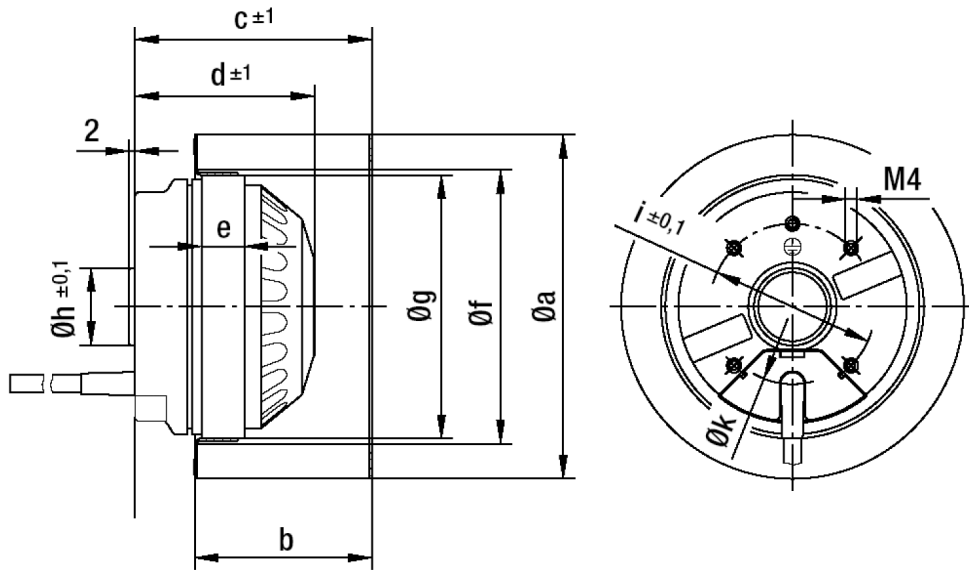


RADIAL FANS

R2E SERIES

Forward curved blades - 2 and 4 pole

ebmpapst



Model	a	b	c	d	e	f	g	h	i	V	Hz	rpm	m ³ /h	W	A	µF	CODE	€
R2E108AA0105	108	50	53	57	20	84	59	17	47	230	50	1650	155	41	0.19	1.5	0402426	450,00
R2E120AR7705	120	62	83	63	15	96	92	27	58	230	50	2350	255	80	0.35	2	0402427	175,00
R2E140A57705	140	59	72	83	35	121	92	27	58	230	50	2400	485	160	0.70	4	0402428	180,00
R2D160AF0201	160	62	72	100	42	131	92	27	58	400	50	2300	630	320	0.5	—	0402430	450,00

DESCRIPTION

Single and three-phase fans with forward curved blades, 2 and 4 pole, single inlet, and with permanent capacitor.

This fan is made of galvanised plating.
Insulation class "B".