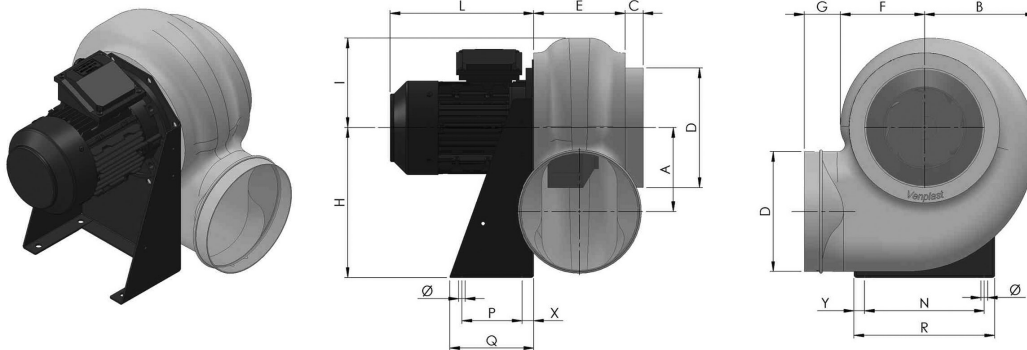


# CENTRIFUGAL FANS

## PA SERIES

*Blades curved forwards*



TYPE	m <sup>3</sup> /h	MOT. SIZE	KW	rpm	A	B	C	D	E	F	G	H	I	L	N	P	Q	R	Y	X	Ø	kg
PA 134	400	63	0.12	1400	90	125	25	125	110	94	55	170	110	190	210	50	85	235	12,5	17,5	11	5
PA 132	460	63	0.18	2800	90	125	25	125	110	94	55	170	110	190	210	50	85	235	12,5	17,5	11	5.5
PA 164	550	63	0.12	1400	110	140	30	140	125	123	55	205	130	190	240	80	120	270	15	20	11	8
PA 162	800	71	0.37	2800	110	140	30	140	125	123	55	205	130	220	240	80	120	270	15	20	11	8.5
PA 204	900	71	0.25	1400	140	185	30	200	155	140	60	250	150	210	200	100	140	235	17,5	20	11	10
PA 202	1500	80	1.10	2800	140	185	30	200	155	140	60	250	150	260	200	100	140	235	17,5	20	11	18

TYPE	SINGLE-PHASE		THREE-PHASE	
	CODE	€	CODE	€
PA 132	<b>0412012</b>	<b>580,00</b>	<b>0412018</b>	<b>500,00</b>
PA 134	<b>0412013</b>	<b>580,00</b>	<b>0412019</b>	<b>500,00</b>
PA 162	<b>0412014</b>	<b>630,00</b>	<b>0412020</b>	<b>620,00</b>
PA 164	<b>0412015</b>	<b>630,00</b>	<b>0412021</b>	<b>590,00</b>
PA 202	<b>0412016</b>	<b>800,00</b>	<b>0412022</b>	<b>690,00</b>
PA 204	<b>0412017</b>	<b>700,00</b>	<b>0412023</b>	<b>550,00</b>

### DESCRIPTION

Forward curved blade fans with polypropylene scroll housing, stainless steel impeller and fixings, and painted steel support.

Always choose the orientation when ordering.

NOTE: Standard orientation LG270