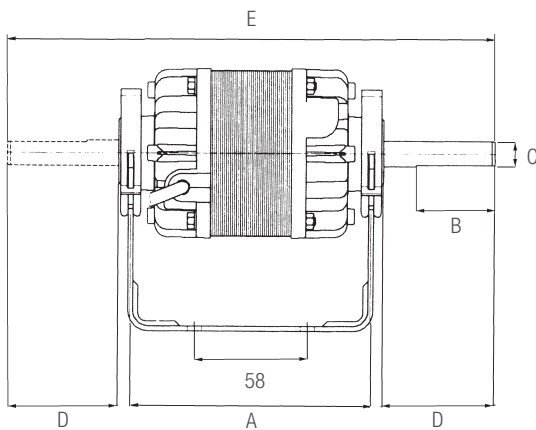
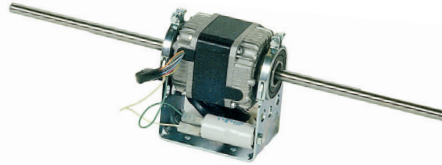
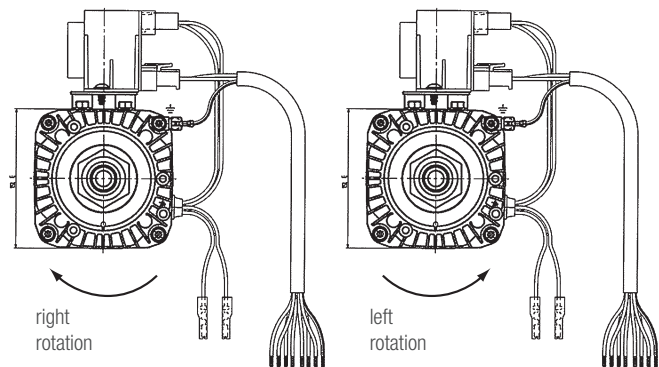


MOTORS FOR CONVECTION FANS



Shaft exit side view



COMPLETE WITH BRACKET, CLAMPS, CAPACITOR, AND TRANSFORMER WITH REMOVABLE CAP Ø 12,7 MM

N° SHAFTS	W	V	A	HZ	rpm	µF	A mm	B mm	C* mm	D mm	E mm	ROTAT.	POLES	SPEED	MODEL	CODE	€
1	25/85	230/240	0,4	50/60	1100	2	99	100	9,52	171	-	right	4	6	3BTM 25-20-A-0/12	0402038	105,00
1	35/110	230/240	0,5	50/60	1100	2,5	111	100	9,52	172,4	-	left	4	6	3BTM 35-30-A-02	0402039	111,50
2	20/70	230/240	0,31	50/60	1100	2	99	100	9,52	200	510		4	6	3BTB 20-20-A-0/3	0402036	103,00
2	35/110	230/240	0,5	50/60	1100	2,5	111	100	9,52	227,2	580		4	6	3BTB 35-30-A-0/3	0402037	114,00
2	50/135	230/240	0,4	50/60	1100	3,15	119	100	9,52	224,3	580		4	6	3BTB 50-40-6V/1	0402043	129,00
2	45/155	230/240	0,71	50	1100	3,15	119	100	9,52	208	550		4	6	3BTB 45-40-0	0402016	119,70

CAP* for shaft adaptation
FROM 9,52 TO 12,7 MM

CODE	€
0402932	4,00

ACCESSORY - CONNECTION CABLE 6-SPEED

suitable for connecting from the fan's transformer or the existing plant's motor. Halves motor installation times because it can be directly connected to the existing electrical plant. Suitable for transforming all types of single and multi-speed fans/motors (along with the self-transformer).



CODE	€
0402931	12,00

The wiring diagrams can be seen on pages 226-227