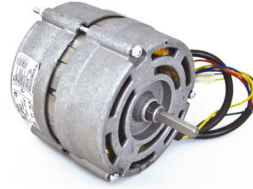
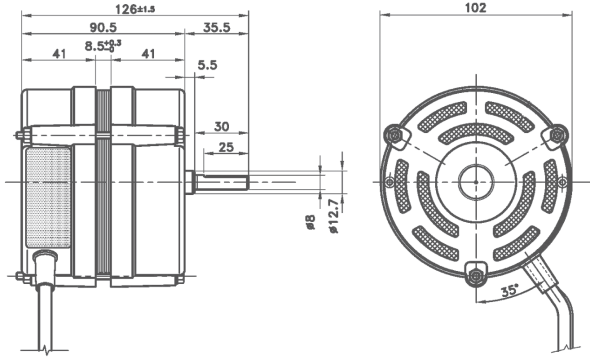
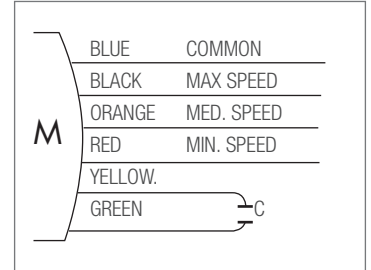


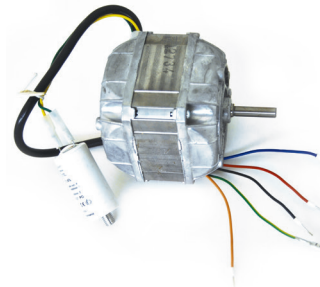
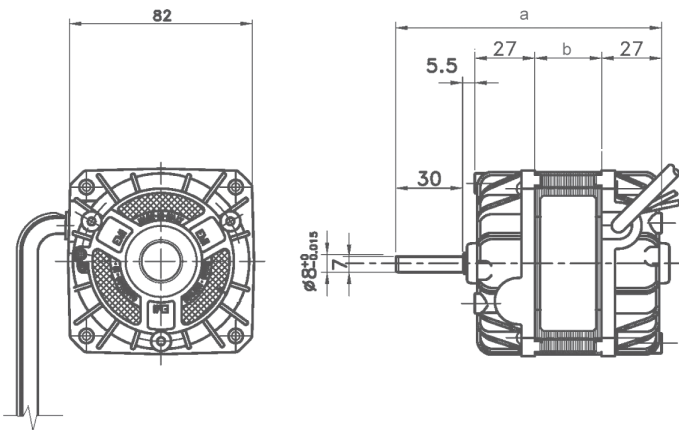
MOTORS FOR TANGENTIAL FANS



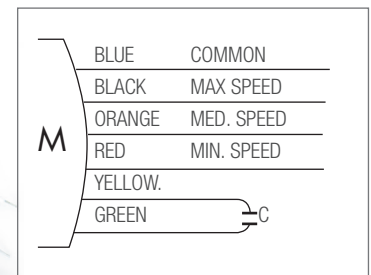
CODE 0402404 - 0402405



MODEL	V/HZ	rpm	W	A	µF	N° SPEEDS	DIR. OF ROTATION SHAFT SIDE VIEW	CODE	€
103M-3030/01	230/50	1100	30/85	0.35	1.5	3	CLOCKWISE DX	0402404	190,00
103M-3030/1	230/50	1100	30/85	0.35	1.5	3	ANTICLOCKWISE SX	0402405	190,00



CODE 0402406 - 0402407



MODEL	V/HZ	rpm	W	A	µF	N° SPEEDS	A	B	DIR. OF ROTATION SHAFT SIDE VIEW	CODE	€
83M-3-3010/01	230/50	1100	10/40	0.16	1.5	3	122	30	CLOCKWISE DX	0402406	153,00
83M-3-3010/1	230/50	1100	10/40	0.16	1.5	3	122	30	ANTICLOCKWISE SX	0402407	153,00

DESCRIPTION:
Motors for tangential fans, clockwise and anticlockwise rotation, various sizes and power ratings