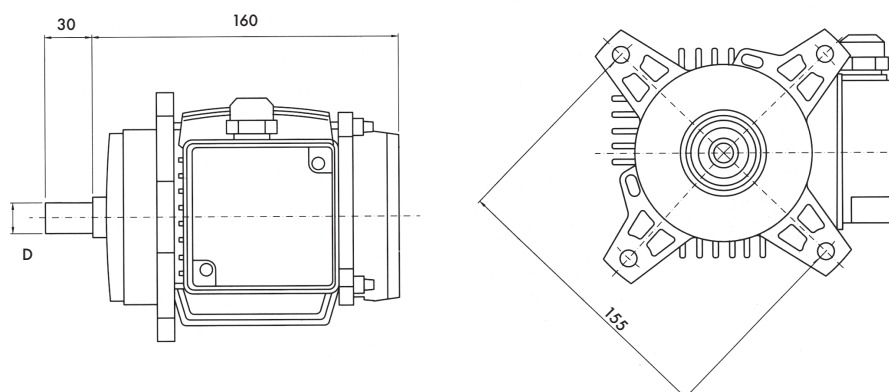
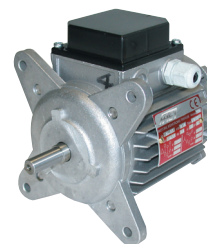


# MOTORS FOR AIR HEATERS - EXTRACTORS



Ø SHAFT D	V	KW	N° POLES	rpm	CODE	€
12	230/400	0.18	4	1400	<b>0402070</b>	<b>169,00</b>
14	230/400	0.18	4	1400	<b>0402071</b>	<b>169,00</b>
12	230/400	0.11	6	900	<b>0402072</b>	<b>169,00</b>
14	230/400	0.11	6	900	<b>0402073</b>	<b>169,00</b>
12	230/400	0.12/0.07	4-6	1400/900	<b>0402074</b>	<b>210,00</b>
14	230/400	0.12/0.07	4-6	1400/900	<b>0402075</b>	<b>214,00</b>
12	230/400	0.12/0.05	4-8	1400/700	<b>0402076</b>	<b>238,00</b>
14	230/400	0.12/0.05	4-8	1400/700	<b>0402077</b>	<b>222,00</b>

## TECHNICAL FEATURES:

Asynchronous, three-phase 50 Hz motor, insulation class F, IP54 protection level.

MECHANICAL SEALS

PUMPS

FANS

MOTORS

INSULATION

EQUIPMENT

MOTOR SPARES

TOOL SPARES

SWITCHES