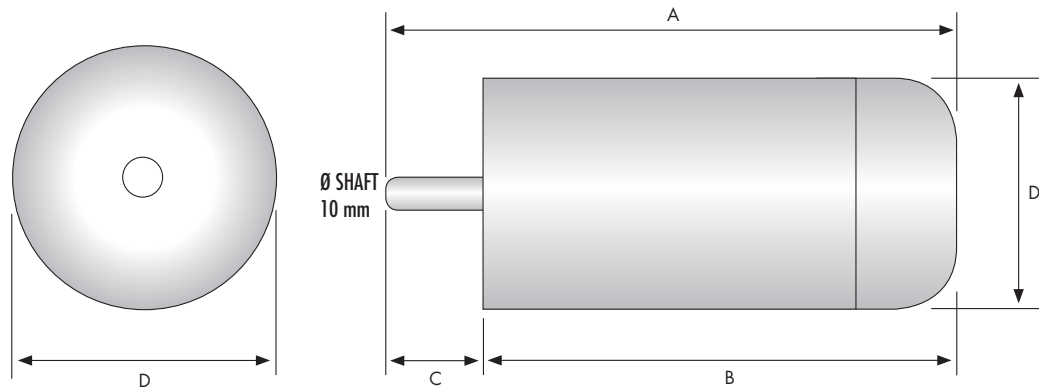


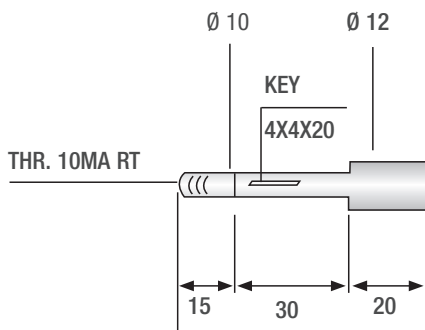
MOTORS FOR AIR HEATERS - EXTRACTORS

Type 50 / Three-phase



MODELPOLES - rpm	KW	A	B	C	D	CODE	€	
TYPE 50 - SHAFT 30	2 - 2800	0,09	183	155	30	98	0402090	99,00
TYPE 50 - SHAFT 60	4 - 1400	0,08	213	155	60	98	0402091	99,00
TYPE 50 - SHAFT 60	2 - 2800	0,09	213	155	60	98	0402092	99,00
TYPE 50/4 - THREE-PHASE 230-400V - 50 HZ4 - 1400		0,08	193	128	65	117	0402096*	120,00
TYPE 50/4 - SINGLE-PHASE 230V - 50 HZ	4 - 1400	0,06	193	128	65	117	0402097*	120,00

* Shaft detail



APPLICATIONS:

Spare motor mainly used for air-conditioning plants, and air extraction and air heater plants.