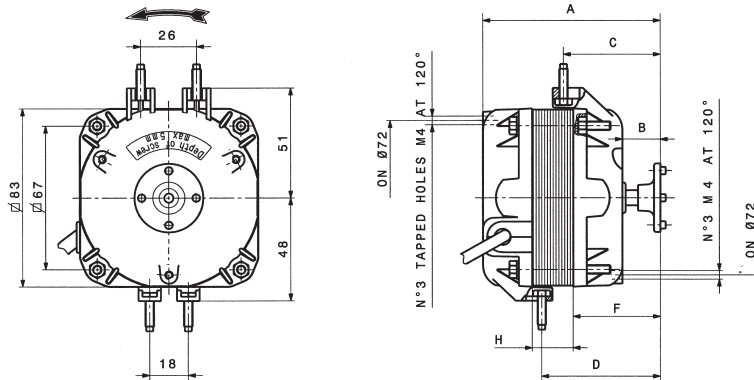


MOTORS PENTAVALENT



Data plate details: Voltage 220/240V, Frequency 50/60 Hz

KW	A	Protection	TYPE APPROVALS (*)	DIMENSIONS mm				CODE	€
				H	A	C	D		
5	0.21	IMPEDANCE	VDE/CE	12.7	81	51	51	Z000201	23,47
10	0.25	IMPEDANCE	VDE/CE	19.1	88	51	58	Z000202	26,46
16	0.45	THERMOSTAT	VDE/CE	25.4	97	55	67	Z000203	29,51
25	0.56	THERMOSTAT	VDE/CE	40	118	69	88	Z000205	37,80
34	0.75	THERMOSTAT	VDE/CE	44	118	63	88	Z000225	40,11

(*) VDE: Motor type approved by the German body as conforming to EN 60-335.1 and EN 60-335.2.24 international standards, for Tropical environment up to 43°C.

MOTORS WITH SHIELDED POLES

The multi-purpose version motors have basement supports at 18 mm and 26 mm centres, and 3 holes with M4 thread, arranged at 120° on both the front cover and the back cover. The electrical connection uses a three-pole cable (2P+E) - 600 mm long.

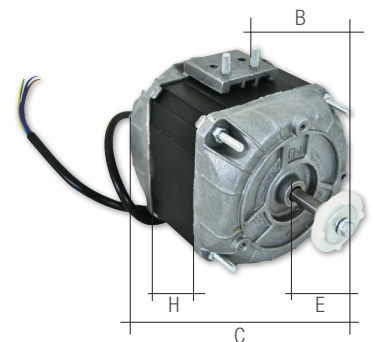
1300/1500 rpm

FIELDS OF APPLICATION:

Refrigerated counters and/or freezing systems

MOTORS PENTAVALENT

With long shaft



MODEL	W OUTPUT	W ABS.	A	rpm	H	B	C	D	E	FAN MAX	MOT. WEIGHT	CODE	€
5- 82 2010/4 A.L.	10	45	0.3	1300	20	54,5	96	60	20	254/22	1.220	Z000254	33,60
5- 82 3016/4 A.L.	16	75	0.45	1300	30	54,5	106	65	25	300/22	1.650	Z000255	39,90
5- 82 4025/5 A.L.	25	115	0.75	1300	40	62,5	124	78	30	300/28	2.050	Z000256	54,60