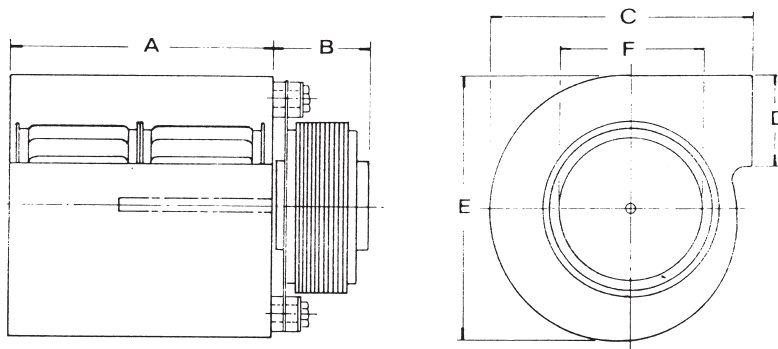
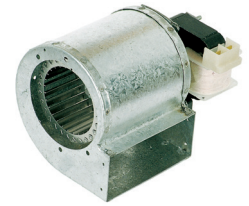


SPARES FOR PELLET STOVES AND FIREPLACES

Centrifugal Fans



Speed scheme:
0 = common
2 = high
1 = medium
Black = low

Model	W	Ampere	A	B	C	D	E	F	m ³ /h	CODE	€
DD76/96	49	0,37	104	76	114	47	120	77	150	0402212	88,40
DD96/96	81	0,75	125	81	160	66	173	93	200	0402214*	173,05
DDD76/96**	49	0,37	104X2	76	114	47	120	77	250	0402216*	219,43

Packages: Single items **Version with 2 fans and central 3-speed motor.
 *Fan available while stocks last

CHARACTERISTICS:

- 2-pole induction motor, 220/240V 50Hz suitable for continuous service.
- Self-lubricating and self-aligning bushings, with lubricant reserve.
- Class F insulation
- Trip switch protection with impedance.
- Scroll housing in pre-galvanised, arc welded plating
- Aluminium fan with projecting blades.

- Power supply via Faston 6,35 contacts fitted directly on the coil.

USE:

Heating, refrigeration, and air conditioning systems, driers, extractors for hoods, fume extraction in general, industrial uses, etc.