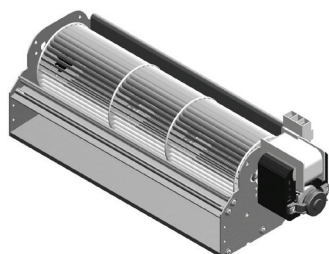


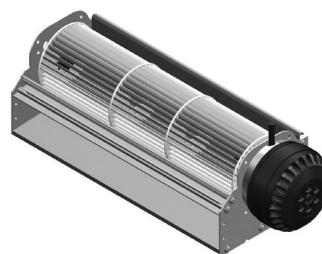
# SPARES FOR PELLET STOVES AND FIREPLACES



## Tangential Fans



8A130B-001 motor on right



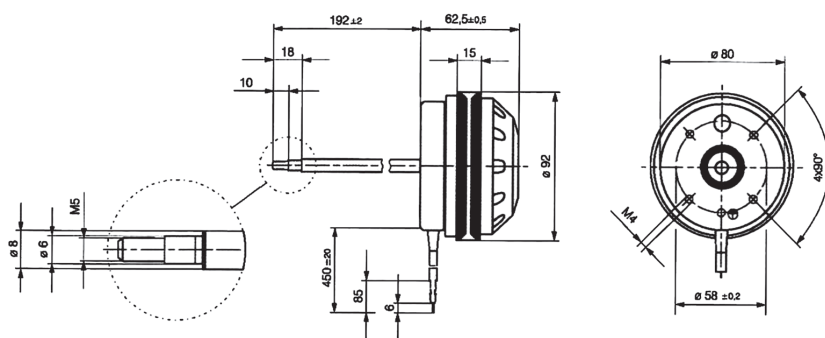
8AR30C-005 motor on right

MODEL TRIAL	LENGTH FAN	rpm	W	m <sup>2</sup> /h	OPENING	FAN	LENGTH TOT.	HEIGHT	WIDTH	CODE	€
8A130B-001	304	1000	64	255	307X43	304	385	143	123	<b>0402337</b>	<b>110,00</b>
8AR30C-005	304	1330	44	500	307X43	304	375	113	129	<b>0402355</b>	<b>130,00</b>

## SPARE MOTOR

For tangential fans

**ebmpapst**



V	HZ	rpm	w0	wa	kg	CODE	€
230	50/60	1200	5.8	28	1.1	<b>0402274</b>	<b>388,50</b>

STIRRER FOR LIQUIDS AND MOTORS FOR TANGENTIAL FANS  
Single-phase, external rotor, 230V 50 Hz motors for special applications,

liquid stirrers, and tangential fans.  
By request an even wider range for pellet stoves