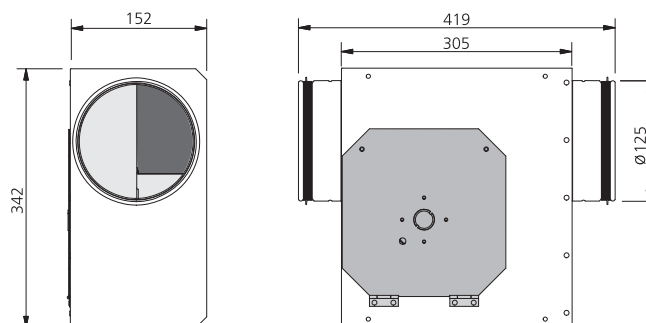
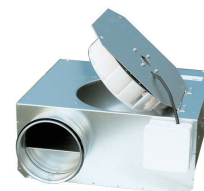


VENTILATING BOXES WITH CIRCULAR DUCT

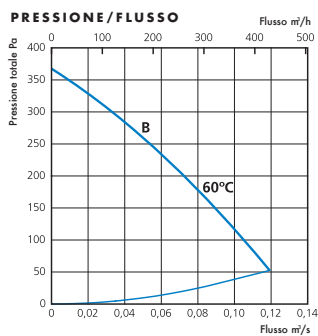
Slim profile LPK B 125 C1 AC

ÖSTBERG
HEALTHY INDOOR CLIMATE
WITH ENERGY EFFICIENT VENTILATION



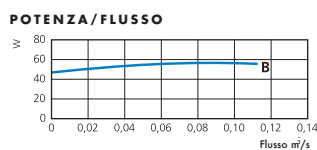
TECHNICAL DATA

LPKB	V/HZ	A	W	rpm	kg	μF	INSUL. CLASS MOTOR	PROTEC. MOTOR	CODE	€
125	230/50	0,26	59	2570	5,2	2	F	IP 44	0411914	189,00



ACOUSTIC DATA

LPKB 125 B, 75 l/s 180 Pa	L _{pA}	L _{wA} tot dB (A)	63	125	250	500	1K	2K	4K	8K
AMBIENT	47	54	33	37	50	51	46	41	35	31
INTAKE		69	51	60	63	66	53	57	51	46
OUTLET		71	56	60	64	67	64	59	56	48



DESCRIPTION:

Slim profile fans for circular ducts, with blades curved backwards, and removable impeller.
T MAX air conveyed in degrees Centigrade = 60 .