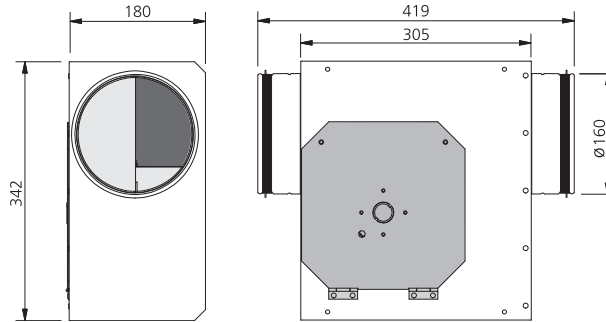
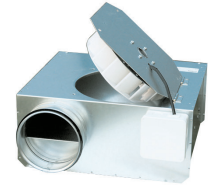


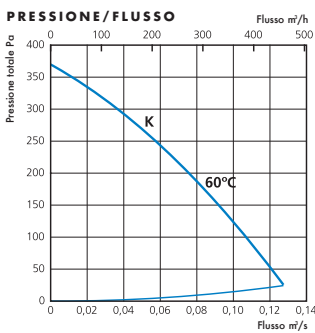
VENTILATING BOXES WITH CIRCULAR DUCT

Slim profile LPK B 160 B1 AC



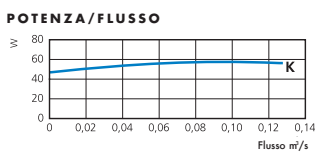
TECHNICAL DATA

LPKB	V/Hz	A	W	rpm	kg	DIAGRAM electrical	µF motor	INSUL. CLASS motor	PROTEC.	CODE	€
160	230/50	0,46	106	2550	6,8	4040001	3	F	IP 44	0411915	231,00



ACOUSTIC DATA

LPKB 160 K, 75 l/s 175 Pa	L _{pA}	L _{wA} tot dB (A)	63	125	250	500	1K	2K	4K	8K
AMBIENT	46	53	32	39	48	50	41	39	34	31
INTAKE		68	52	59	65	62	57	51	52	45
OUTLET		70	57	59	65	66	60	56	55	47



DESCRIPTION:

Slim profile fans for ducts, with blades curved backwards, and removable impeller.
T MAX air conveyed in degrees Centigrade = 60 .

MECHANICAL SEALS

PUMPS

FANS

MOTORS

INSULATION

EQUIPMENT

MOTOR SPARES

TOOL SPARES

SWITCHES