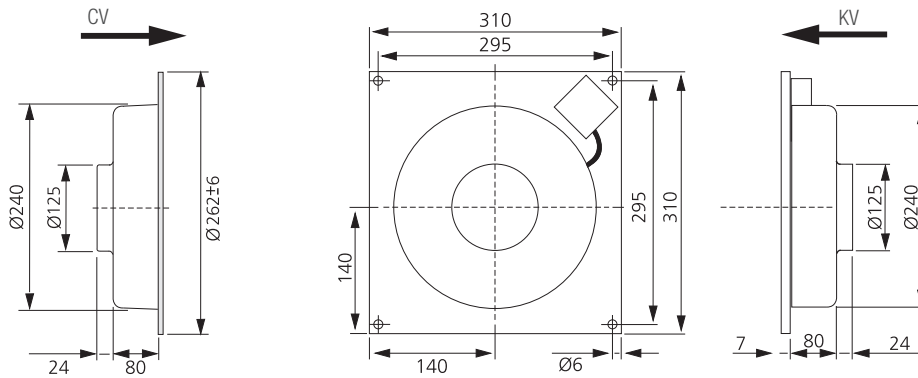


WALL-MOUNTED EXTRACTORS

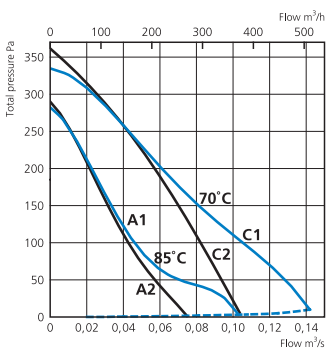
CV/KV 125 A/C



TECHNICAL DATA

MOD.	V/Hz	A	W	rpm	kg	DIAGRAM electrical	µF motor	INSUL. CLASS motor	PROTEC.	CODE	€
CV 125C	230/50-60	0,18	62	1640	2,2	4040002	2	F	IP 44	0411919	157,50
KVFU 125C	230/50-60	0,27	62	2480	2,2	4040001	2	F	IP 44	0411920	178,50

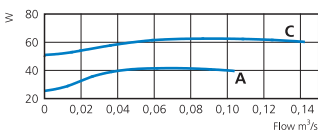
PRESSURE/FLOW



ACOUSTIC DATA

CV/KV 125 A, 40 l/s 130 Pa	L _{pA}	L _{WA} tot dB (A)	63	125	250	500	1K	2K	4K	8K
AMBIENT	36	43	35	20	35	34	38	38	36	30
INTAKE		67	44	51	66	60	56	52	47	39
CV/KV 125 C, 80 l/s 145 Pa	L _{pA}	L _{WA} tot dB (A)	63	125	250	500	1K	2K	4K	8K
AMBIENT	42	49	36	25	39	39	44	43	45	36
INTAKE		70	49	55	64	67	64	60	55	48

POWER/FLOW



DESCRIPTION:

Wall-mounted fans for circular section tubes, with or without square plate.
T MAX air conveyed in degrees Centigrade = 70 .