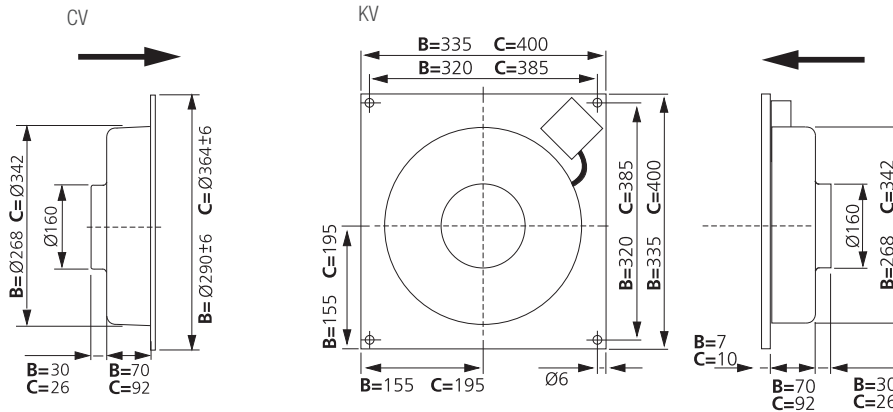


# WALL-MOUNTED EXTRACTORS

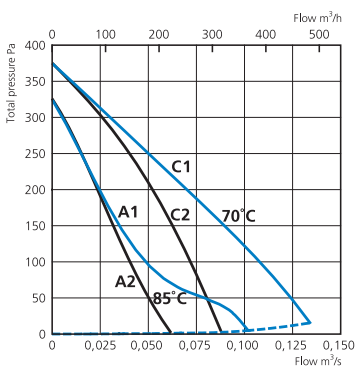
CV / KV160 B/C



## TECHNICAL DATA

MOD.	V/Hz	A	W	rpm	kg	µF	INSUL. CLASS motor	PROTEC. motor	CODE	€
CV 160C	230/50-60	0,44	105	2540	2,4	3	F	IP 44	0411921	199,50
KVFU 160C	230/50-60	0,44	105	2480	3,1	3	F	IP 44	0411922	210,00

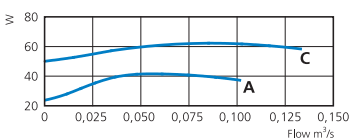
## PRESSURE/FLOW



## ACOUSTIC DATA

CV/KV 160B, 80 L/S 125 PA	L <sub>PA</sub>	L <sub>wA</sub> tot dB (A)	63	125	250	500	1K	2K	4K	8K
AMBIENT	42	49	35	24	39	40	45	44	44	32
INTAKE		69	48	54	64	65	63	58	53	48
CV/KV 160C, 100 L/S 170 PA	L <sub>PA</sub>	L <sub>wA</sub> tot dB (A)	63	125	250	500	1K	2K	4K	8K
AMBIENT	49	56	35	34	42	49	54	47	48	35
INTAKE		73	52	60	64	68	69	64	64	54

## POWER/FLOW



## DESCRIPTION:

Wall-mounted fans for circular section tubes, with or without square plate.  
T MAX air conveyed in degrees Centigrade = 65 .