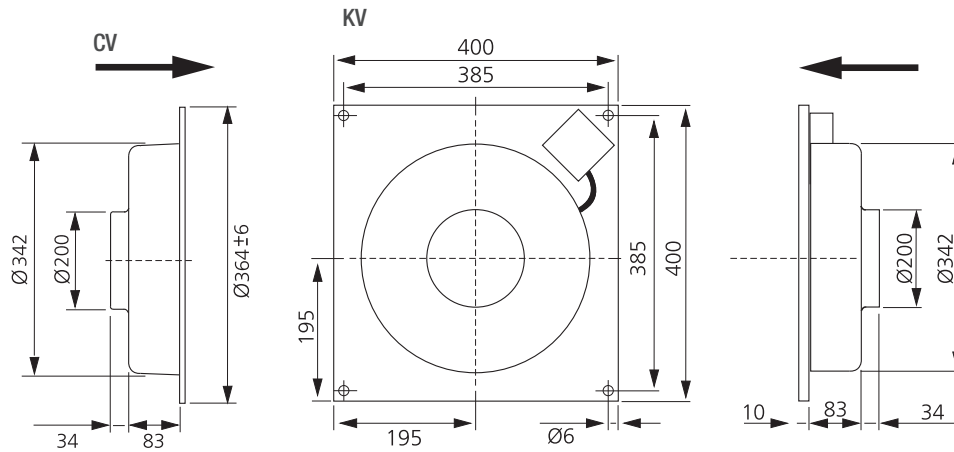


WALL-MOUNTED EXTRACTORS

CV / KV200 A/B ERP

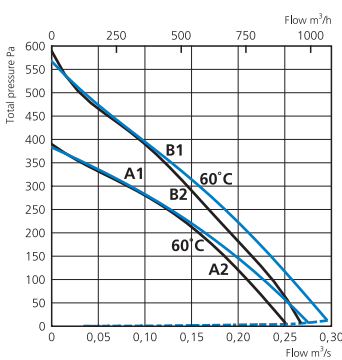
ÖSTBERG
HEALTHY INDOOR CLIMATE
WITH ENERGY EFFICIENT VENTILATION



TECHNICAL DATA

MOD.	V/Hz	A	W	rpm	KG	µF	INSUL. CLASS motor	PROTEC. motor	CODE	€
CV200A	230/50	0,50	115	2580	3,3	4	F	IP 44	0411923	210,00
KVFU 200A	230/50	0,63	144	2500	4,0	5	F	IP 44	0411924	231,00

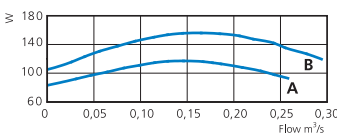
PRESSURE/FLOW



ACOUSTIC DATA

CV/KV 200 A, 190 l/s 190 Pa	L _{PA}	L _{WA} tot dB (A)	63	125	250	500	1K	2K	4K	8K
AMBIENT	47	54	34	31	42	46	50	47	48	34
INTAKE		72	52	60	64	67	66	64	65	55
CV/KV 200 B ERP, 160 L/S 300 PA	L _{PA}	L _{WA} tot dB (A)	63	125	250	500	1K	2K	4K	8K
AMBIENT	45	52	27	34	41	46	48	44	44	35
INTAKE		75	57	63	70	69	66	64	61	59

POWER/FLOW



DESCRIPTION:

Wall-mounted fans for circular section tubes, with or without square plate.
T MAX air conveyed in degrees Centigrade = 60 .