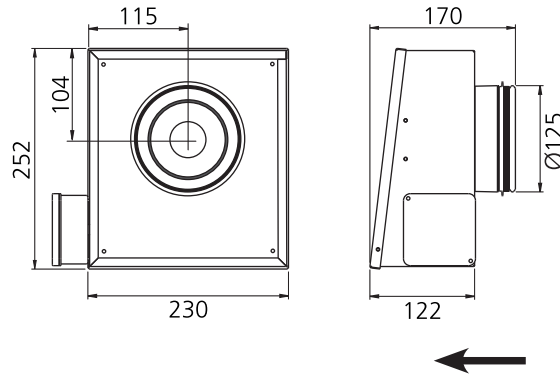


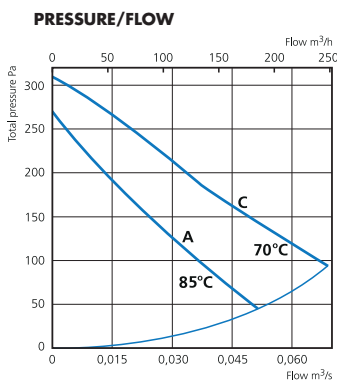
WALL-MOUNTED EXTRACTORS

RS125 A/C



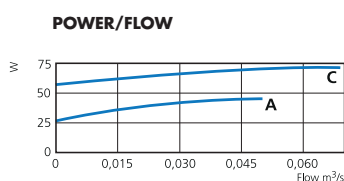
TECHNICAL DATA

MOD.	V/Hz	A	W	rpm	KG	µF	INSUL. CLASS motor	PROTEC. motor	CODE	€
RS 125 C	230/50-60	0,20	62	2460	3,4	2	F	IP 44	0411933	280,00



ACOUSTIC DATA

	L _{pA}	L _{wA} tot dB (A)	63	125	250	500	1K	2K	4K	8K
RS 125 A, 39 l/s 90 Pa										
AMBIENT	55	62	41	40	50	56	58	55	44	35
INTAKE		63	63	54	58	58	56	51	42	28
RS 125 C, 50 l/s 145 Pa										
AMBIENT	62	69	48	41	56	63	66	63	54	46
INTAKE		70	55	59	63	65	63	59	51	40



MECHANICAL SEALS

PUMPS

FANS

MOTORS

INSULATION

EQUIPMENT

MOTOR SPARES

TOOL SPARES

SWITCHES