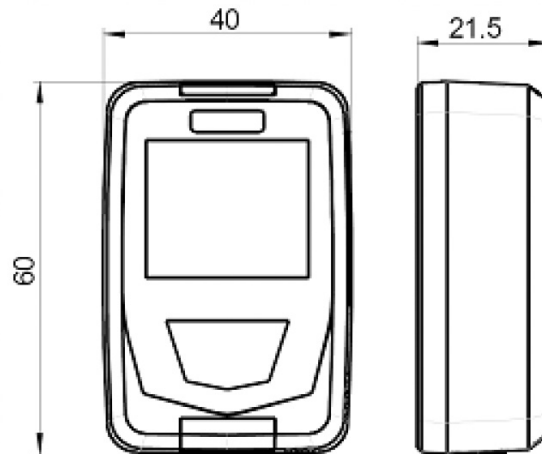


# DATALOGGER KT50 / KH50

**KIMO**<sup>®</sup>  
INSTRUMENTS



DESCRIPTION	CODE	€
DATALOGGER KIMO KT50 TEMPERATURE	<b>S24911</b>	<b>127,00</b>
DATALOGGER KIMO KH50 TEMP & HUMIDITY	<b>S24912</b>	<b>200,00</b>

#### KEY POINTS

- Configuration and data display software freely downloadable
- 2 settable alarm points
- Configuration and data processing software available (optional extra)
- 1 Line LCD Screen
- 16,000 measuring points
- Fast data download (1,000 values/sec)
- Measures up to 2 parameters simultaneously

- Casing with magnets
- Casing protection IP65 (KT50) and IP40 (KH50)

#### CHARACTERISTICS:

- External inputs: Micro USM connector
- Alarm points: 2 alarm points for each channel
- Measuring frequency: From 1 min to 24 hours