

MG1-G6 and MG12-G6 SILICON/SILICON/FKM

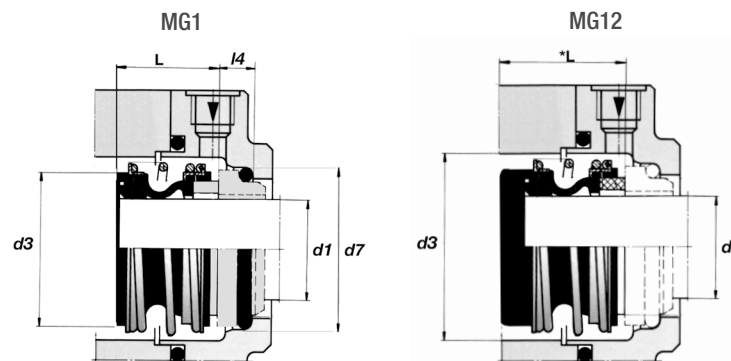
Q1Q1VGG

EagleBurgmann



Rotation: bi directional
Stationary ring: with O-ring
Max pressure: 12 bar
Temperature: -20° max +180°
for water max +120°

Use: oils, acids, hydrocarbons, liquids in the presence of abrasives



Dimensions mm						MG1		MG12	
SHAFT	ROTATING PART		STATIONARY RING		COMPLETE MECHANICAL SEAL		COMPLETE MECHANICAL SEAL		
d1	d3	MG1- L	MG12- L	d7	l4	CODE	€	CODE	€
14	-	-	28.4	25	6.6	--	--	2312014	144.90
16	28.5	17	28.4	27	6.6	2301016	146.30	2312016	156.50
18	32	19.5	30	33	7.5	2301018	132.00	2312018	171.00
20	37	21.5	30	35	7.5	2301020	144.50	2312020	180.00
22	37	21.5	30	37	7.5	2301022	177.10	2312022	189.00
24	42.5	22.5	32.5	39	7.5	2301024	154.50	2312024	210.00
25	42.5	23	32.5	40	7.5	2301025	187.00	2312025	222.00
28	49	26.5	35	43	7.5	2301028	179.00	2312028	240.00
30	49	26.5	35	45	7.5	2301030	225.10	2312030	255.00
32	53.5	27.5	35	48	7.5	2301032	276.00	2312032	315.00
33	53.5	27.5	35	48	7.5	2301033	278.00	2312033	345.00
35	57	28.5	35	50	7.5	2301035	225.90	2312035	360.00
38	59	30	36	56	9	2301038	285.00	2312038	405.00
40	62	30	36	58	9	2301040	299.00	2312040	353.00
43	65.5	30	36	61	9	2301043	379.50	2312043	411.00
45	68	30	36	63	9	2301045	397.80	2312045	435.00

On request, available with stationary ring G60 - G4