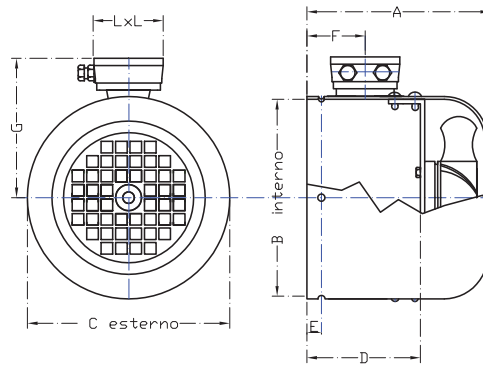


BLOWING FORCE-VENTILATION KIT

Single-phase



Terminal board IP55
Voltage 230V.
Hz. 50/60



SIZE	TYPE	RPM	WATT	AMP	M3/H	A	B	C	D	E	F	G	CODE	€
63	self-braking	3000	22/21	0,14/0,12	180	172	121	123	110	6	65	106	K063MCM55A	179,43
	normal					58			50				K063MCM55N	169,52
71	self-braking	3000	22/21	0,14/0,12	180	185	136	138	134	6	65	122	K071MCM55A	183,57
	normal					72			115				K071MCM55N	172,25
80	self-braking	3000	22/21	0,14/0,12	180	192	155	157	141	6	70	130	K080MCM55A	188,15
	normal					85			75				K080MCM55N	172,84
90	self-braking	2800	39/36	0,28/0,24	320	199	174	176	132	6	70	139	K090MCM55A	231,72
	normal					80			130				K090MCM55N	201,75
100	self-braking	2800	39/36	0,28/0,24	340	205	191	193	141	6	70	148	K100MCM55A	233,00
	normal					84			75				K100MCM55N	202,93
112	self-braking	2800	39/36	0,28/0,24	340	218	218	220	156	8	80	160	K112MCM55A	235,33
	normal					100			95				K112MCM55N	224,93
132	self-braking	2800	39/36	0,28/0,24	450	252	256	258	175	8	80	182	K132MCM55A	241,48
	normal					121			171				K132MCM55N	235,47