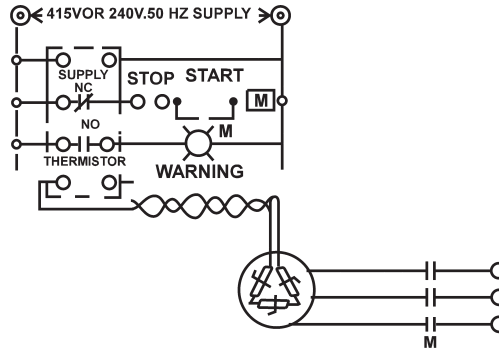


PROTECTION UNIT FOR PTC

FAET[®] US NKCR2.E343064 NKCR8.E343064



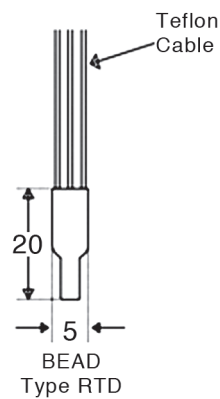
TECHNICAL DATA

Power supply voltage:
110–230–380–415–Vac, 21–24–220 Vdc 50Hz.
Output contacts: 1 NA 2 NC
Inputs: Max 9 PTC
Room temperature: -5°C +55°C
Life cycle: 1 million Cycles

CONTROL UNIT POWER SUPPLY Volt

CONTROL UNIT POWER SUPPLY Volt	CODE	€
110	3313800-110V	
240	3313800-240V	64.34
24	3313800-24V	

PT100



VERSION	WIRE LENGTH mm	WIRE COLOUR	CODE	€
PT100 BEAD TYPE	500	red-red-white	3313950	31.50

Possibility of providing PT100, PT1000 and KTY to the customer's specifications.