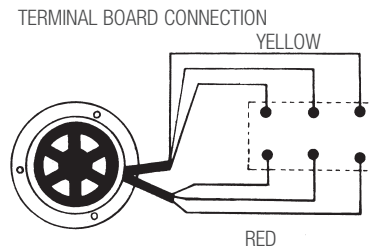
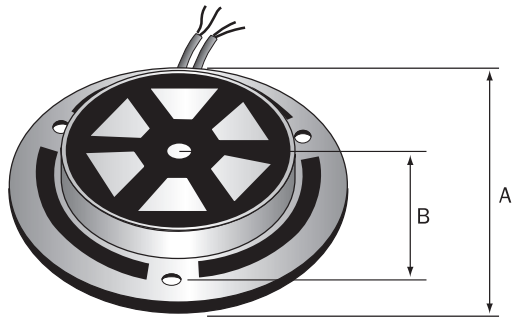


SPARES FOR ELECTRIC BRAKES MAGNETS 230 /

400 volts



MOTOR SIZE	Ø ext. A	CENTRES B	N° Holes	MAX TORQUE kg/m	CODE	€
MEC 56-T60	108	48	3	0.4	0901100	65,83
MEC 63	122	55	3	0.9	0901101	77,38
T 70	130	57.5	3	0.9	0901102	73,92
MEC 71	134	60.5	3	1.2	0901103	77,38
T 80	145	62.5	3	1.2	0901104	82,00
MEC 80	155	69	3	2.5	0901105	88,93
T 90	170	72.5	3	2.5	0901106	90,09
MEC 90	173	77.5	3	3.5	0901107	93,55
T 100	180	80	3	3.5	0901108	93,55
MEC 100	191	85	3	10	0901114	107,41
T 110	200	85	3	10	0901109	107,41
MEC 112	218	100	3	16	0901115	115,50
T 120	230	100	3	16	0901110	115,50
MEC 132 - T 140	240	105	6	22	0901111	150,15
MEC 160 - T 160	255	112.5	6	30	0901112	173,25
MEC 180 - T 180	335	145	6	40	0901113	390,39

Up to size T 120, the castings are in aluminium.