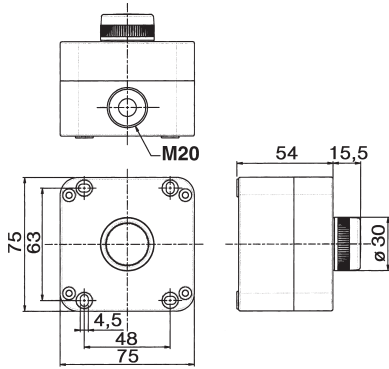


PUSH BUTTON STATIONS FOR WALL INSTALLATION



PUSH-BUTTON PANEL WITH BUTTON

GREEN START BUTTON

CODE

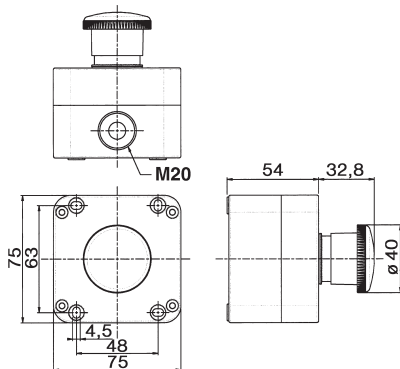
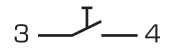
3310600*

€/pc

28,38

RED STOP BUTTON

3310602*



PUSH-BUTTON PANEL FOR EMERGENCIES WITH MUSHROOM BUTTON

RELEASE BY ROTATION

CODE

3310604

€/pc

36,75

PUSH - PULL

3310606*

single item packages
* limited stocks



Ideal for hoists, lift sides, lifts, and metal processing machinery
GENERAL CHARACTERISTICS:
Conforms to I.E.C. standards 947 -5-1 NFC 63-140 VDE 0660-200

CHARACTERISTICS OF CONTACT ELEMENTS:
Rated thermal current 10A. (4) 380V.
Rated insulation voltage 500V