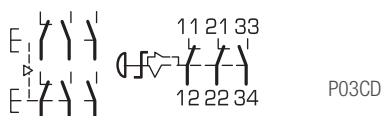
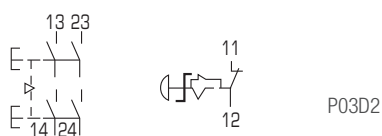
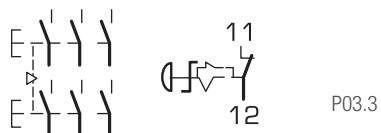
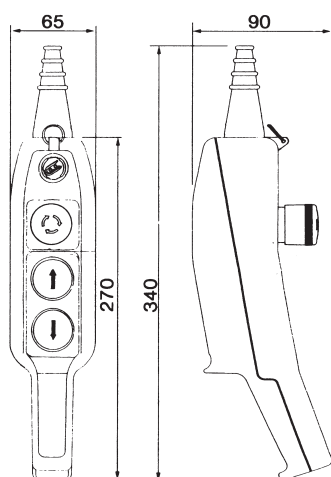


THREE PUSH BUTTON PENDANT STATIONS SMALL HOIST P03

For small lifting



MODEL	SPEED	N° CONTACTS	CHARACTERISTICS	CODE	€/pc
P03.3	1	1NC+3NA		3310800	94.00
P03D2	2	1NC+2NA		3310801	94.00
P03CD	1	(2NC+1NA) (2NA+1NC)	For direct control of 1 KW single-phase motors.	3310652	113.00

single item packages

TECHNICAL DATA:

Protection IP 65

Operating temperature -25 °C +70 °C.

Rated insulation voltage 600 V

Rated current 10 A.

N.B.: NA (green) and NC (red) contacts can be provided on request.