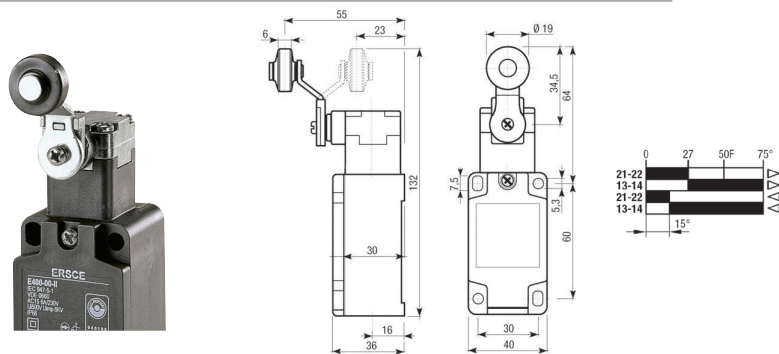
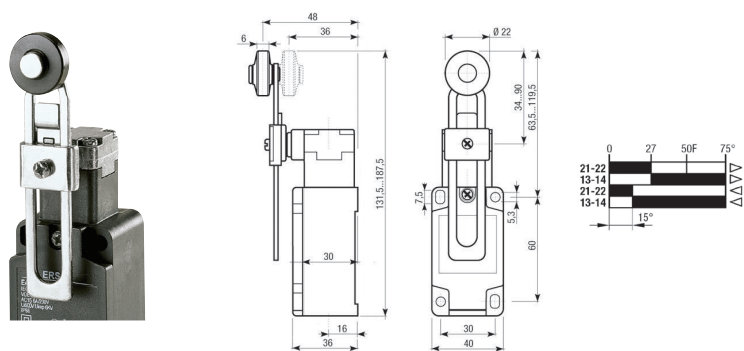


BENT LEVER WITH PLASTIC ROLLER



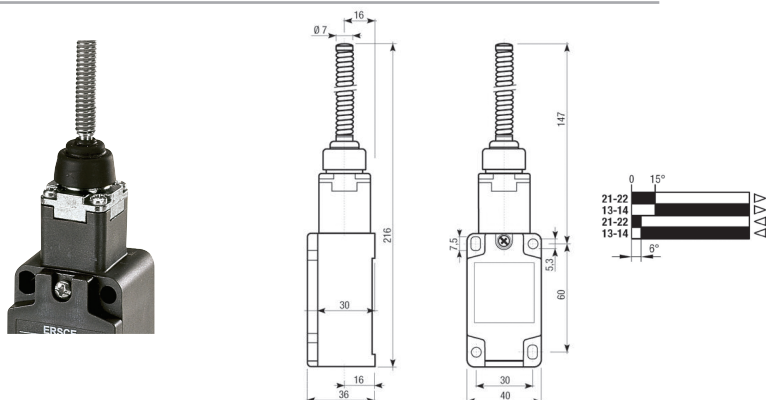
CONTACT ELEMENT	CODE	€/pc
1NO+1NC quick action 13 21 14 22	E4000IM	29.13

VARIABLE LENGTH LEVER WITH PLASTIC ROLLER



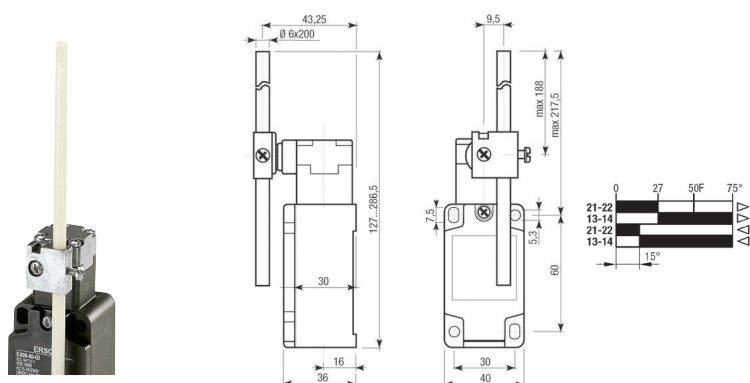
CONTACT ELEMENT	CODE	€/pc
1NO+1NC quick action 13 21 14 22	E4000FM	26.30

WITH FLEXIBLE ROD



CONTACT ELEMENT	CODE	€/pc
1NO+1NC quick action 13 21 14 22	E4000LM	26.30

WITH FIXED ROD IN FIBREGLASS



CONTACT ELEMENT	CODE	€/pc
1NO+1NC quick action 13 21 14 22	E4000GM	29.13

4 holes for fastening with 30 mm horizontal distance between centres and adjustment slots. Compliant with standards IEC/EN 60947-1 IEC/EN 60947-5-1

CERTIFICATIONS

UL file E72861 - CSA File 026716-0-000



CABLE ENTRY
1 cable entry on the bottom of the switch, with thread: Pg. 13.5
M20 (on request)
1/2" NPT (on request)
PG11 (on request)

All products in the BREMAS ERSCE catalogue can be provided on request.

MECHANICAL SEALS

PUMPS

EXTRACTORS

MOTORS

INSULATION

EQUIPMENT

MOTOR PARTS

TOOL PARTS

SWITCHES