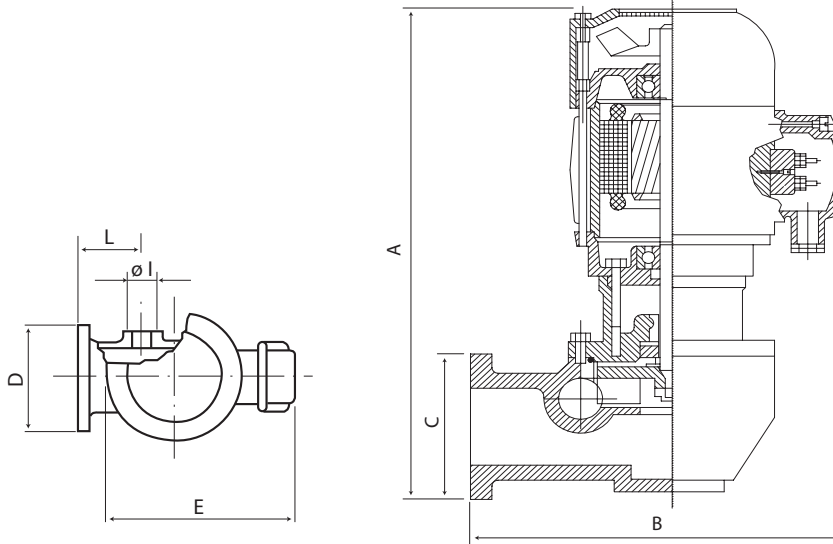



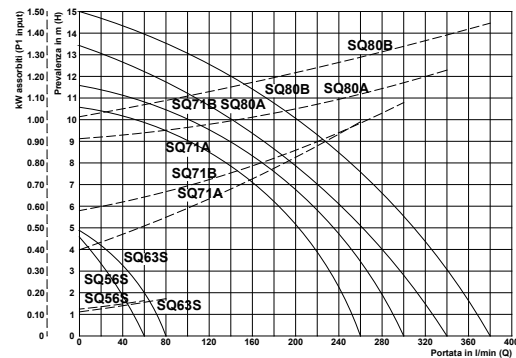
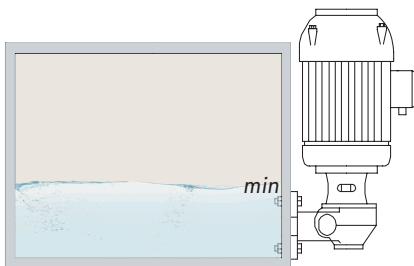
ELECTRO PUMPS FOR DECANTING - LATERAL ASSEMBLY SERIES SQ

Three-phase motor 230/400V 50Hz



Type	KW 	A	B	C	D	E	F	G	ØH	ØI gas	L	CODE	€
SQ 56/S	0.17	265	170	60	95	140	75	45	7	3/8"	51	0501036	243.26
SQ 63/S	0.26	300	180	60	95	158	75	45	7	1/2"	51	0501037	367.03
SQ 71/A	1.00	330	245	80	145	175	115	60	9	1"	62	0501160	499.28
SQ 71/B	1.20	330	245	80	145	175	115	60	9	1"	62	0501161	533.29
SQ 80/A	1.41	335	250	80	145	210	115	60	9	1"1/4	62	0501162	676.28
SQ 80/B	1.41	335	250	80	145	210	115	60	9	1"1/4	62	0501163	704.35

Packs containing individual pieces, measurements in mm



FLOW RATE CURVES The data indicated in the diagrams refer to a viscosity not exceeding 5 CST 20°C

These are suitable for transferring liquids containing impurities of dimensions up to 2-3 mm.
The hydraulic components: nylon impeller and cast iron scroll mean it

can be used with water, emulsions, and oily substances in general with a viscosity not exceeding 3° Engler (21 CST).
The temperature of the liquid must not exceed 70°C.