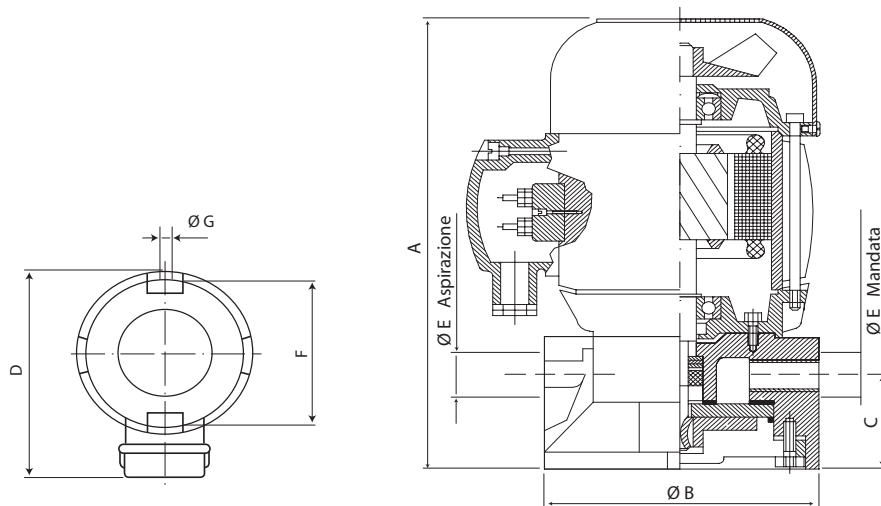


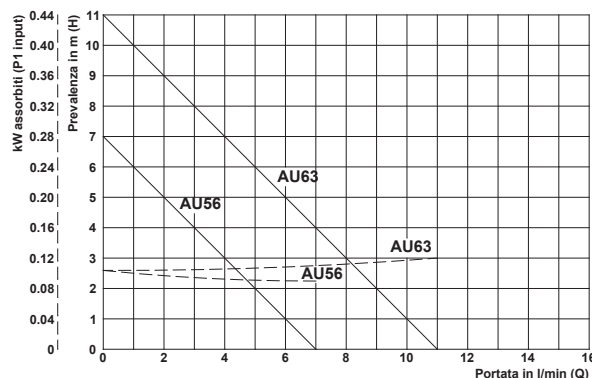
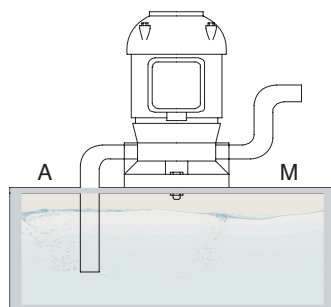
# SUCTION ELECTRO PUMPS SERIES AU

Three-phase motor 230/400V 50Hz



Type	KW	A	ØB	C	D	ØE	ØF	ØG	CODE	€
AU56	0.17	215	115	48	144	3/8"	95	7	<b>0501038</b>	<b>304.95</b>
AU63	0.26	270	115	48	165	1/2"	95	7	<b>0501039</b>	<b>447.77</b>

Packs containing individual pieces, measurements in mm



FLOW RATE CURVES The data indicated in the diagrams refer to a viscosity not exceeding 5 CST 20°C

These are suitable for transferring clean liquids containing impurities not exceeding 30µ. The hydraulic components: brass impeller, cast iron bottom and aluminium pump body, allow it to be used with emulsions, oily

substances and liquids in general, provided they are not oxidants for the construction materials. The viscosity must not exceed 3° Engler (21 CST).