

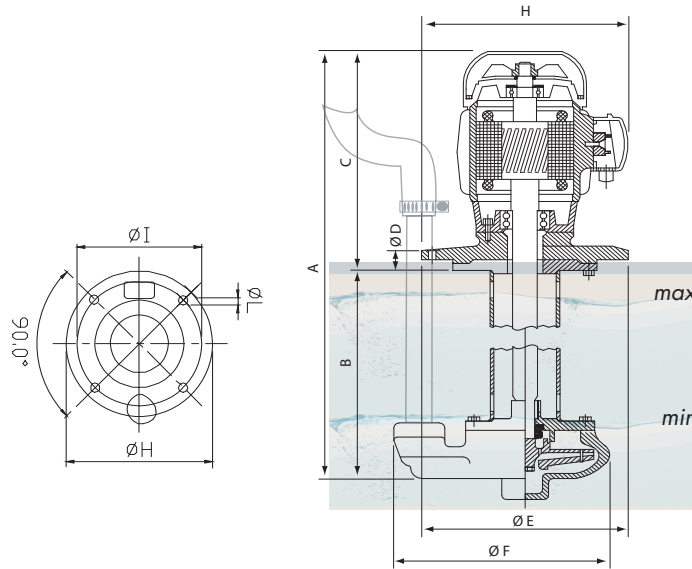
# SUBMERSIBLE MOTOR-DRIVEN PUMPS SERIES AP



Three-phase motor 230/400V 50Hz



AP 80-90



TYPE	KW	C	D	Ø E	Ø F	Ø G	Ø H	Ø I	Ø L	M	N	A	B	CODE	€
AP 80B	1.86	300	280	240	1-1/4"	2-1/2"	300	270	13	170	136	620	320	<b>0501308</b>	<b>1490.82</b>
												750	450	<b>0501310</b>	<b>1661.58</b>
												910	610	<b>0501312</b>	
												1160	860	<b>0501314</b>	<b>1764.71</b>
AP 90A	2.70	355	280	240	1-1/2"	2-1/2"	300	270	13	170	136	675	320	<b>0501316</b>	<b>1551.32</b>
												805	450	<b>0501318</b>	<b>1719.17</b>
												965	610	<b>0501320</b>	
												1215	860	<b>0501322</b>	<b>1844.13</b>
AP 90B	3.58	355	280	240	1-1/2"	2-1/2"	300	270	13	170	136	675	320	<b>0501324</b>	<b>1773.88</b>
												805	450	<b>0501326</b>	<b>1944.79</b>
												965	610	<b>0501328</b>	
												1215	860	<b>0501330</b>	<b>2049.13</b>

These are suitable for transferring liquids containing impurities of dimensions up to 2 mm. The hydraulic components: impeller and scroll in cast iron and pump body in steel, mean that it can be used with water, emulsions, and oily substances in general, with viscosity not exceeding 3° Engler (21 CST). The temperature of the liquid must not exceed 90°C.

They are ordinarily used on:

- Machine tools (milling machines - lathes - workstations)
- Machines for glass work
- Surface treatment systems
- Filtration systems