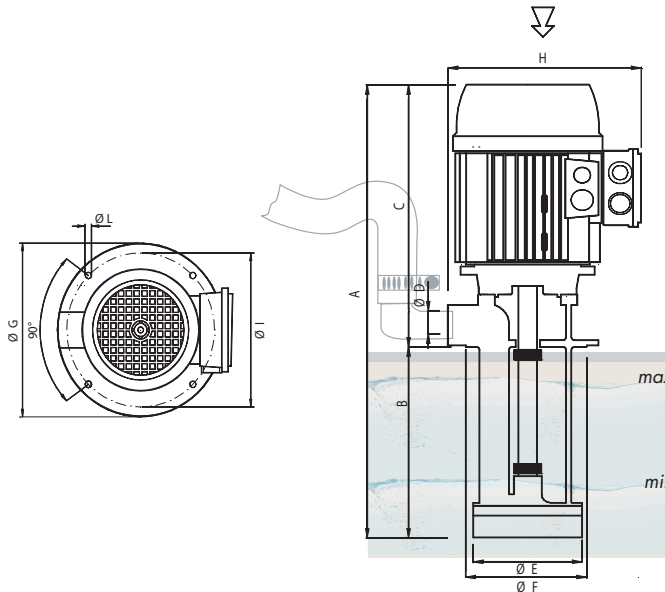


# CENTRIFUGAL MOTOR-DRIVEN PUMPS SERIES PPI

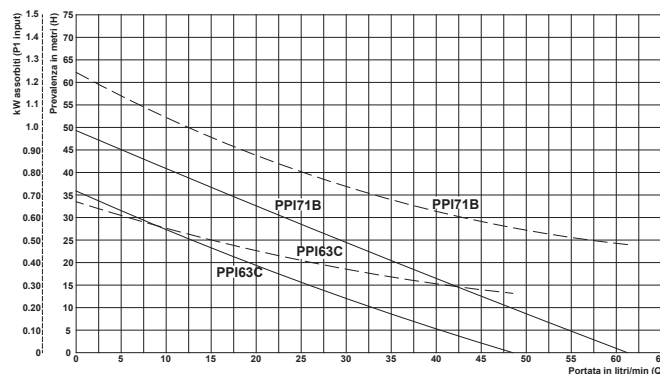


Three-phase motor 230/400V 50Hz



TYPE	KW	C	Ø D	Ø E	Ø F	Ø G	H	Ø I	Ø L	A	B	CODE	€
PPI 63C	0.74	242	3/4"	98	100	130	185	115	7	437	195	<b>0504050</b>	<b>782.02</b>
PPI 71B	1.20	242	3/4"	98	100	130	193	115	7	466	200	<b>0504051</b>	<b>868.90</b>

Packs containing individual pieces, measurements in mm



FLOW RATE CURVES The data indicated in the diagrams refer to a viscosity not exceeding 5 CST 20°C

These are suitable for transferring clean liquids containing impurities not exceeding 30 µ.

The hydraulic components: impeller, scroll, and pump body in brass allow them to be used with emulsions and oily substances, glycols, and liquids in general, provided these are not oxidants for the construction materials. The viscosity must not exceed 3° Engler (21 CST) and the temperature must not exceed 90° C.

When using thermal oil, the maximum temperature of the fluids may reach 150° C.

They are normally installed on a tank, with a capacity in proportion with the flow rate, at about 3 - 4 cm from the bottom. It is important to check that the maximum level of the liquid in the tank always stays 3 - 4 cm lower than the support flange.