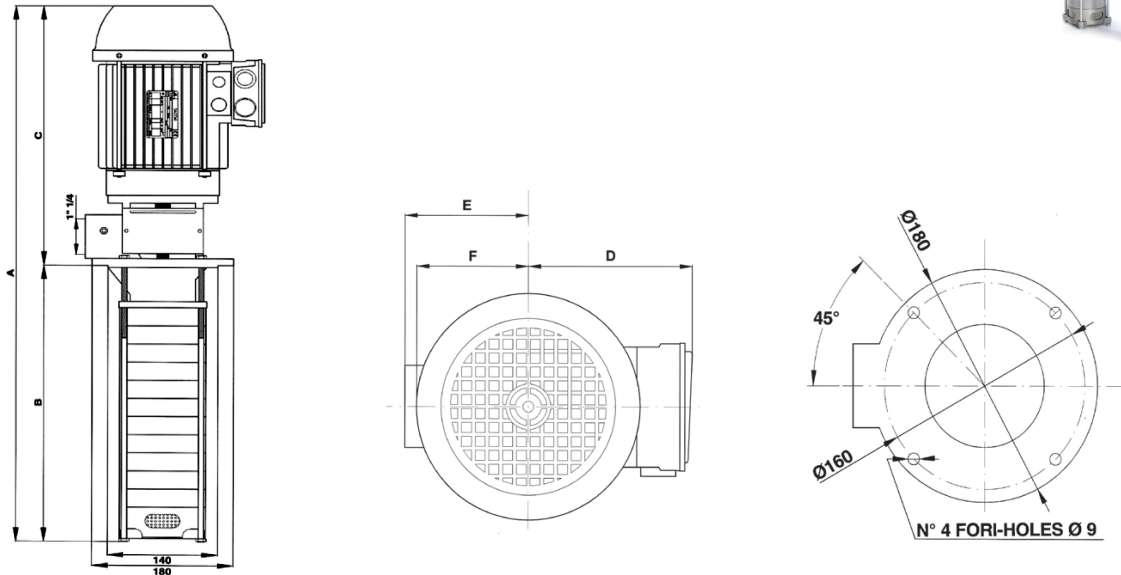


# VERTICAL MULTISTAGE PUMPS SERIES HPP



Type	KW	A	B	C	D	E	F	KG	CODE	€
HPP 80/2	0.91	535	192	343	123	99	80.5	15.5	<b>0501380</b>	<b>1054.50</b>
HPP 80/4	0.91	589	246	343	123	99	80.5	18.0	<b>0501381</b>	<b>1174.20</b>
HPP 80/6	1.30	643	300	343	123	99	80.5	20.5	<b>0501382</b>	<b>1324.30</b>
HPP 90/8	1.76	740	354	386	129	99	89.5	25.5	<b>0501383</b>	<b>1590.30</b>
HPP 90/10	2.61	794	408	386	129	99	89.5	29.0	<b>0501384</b>	<b>1689.10</b>
HPP 90/12	2.61	848	462	386	129	99	89.5	30.0	<b>0501385</b>	<b>1894.30</b>
HPP 100/14	3.41	934	516	418	144	99	97.5	34.5	<b>0501386</b>	<b>2015.90</b>
HPP 112/16	4.43	1010	570	440	163	99	115	44.0	<b>0501387</b>	<b>2399.70</b>
HPP 112/19	4.43	1091	651	440	163	99	115	45.4	<b>0501388</b>	<b>2565.00</b>

Packs containing individual pieces, measurements in mm



The pump is designed to pump clean, non-explosive liquids, without abrasive parts and suspended filaments, and with a viscosity not exceeding 20 mm<sup>2</sup>/s.

Operating conditions: Liquid temperature from -15° c to +90° C - Maximum room temperature +40° C.

The pump is designed for industrial applications: Machine tools (grinding machines, lathes, drilling stations), Machines for glass work, Filtration systems, Cooling systems, Washing machines. This pump is equipped with a motor built according to IEC 60034-30-1, in efficiency class IE3 (Premium Efficiency).